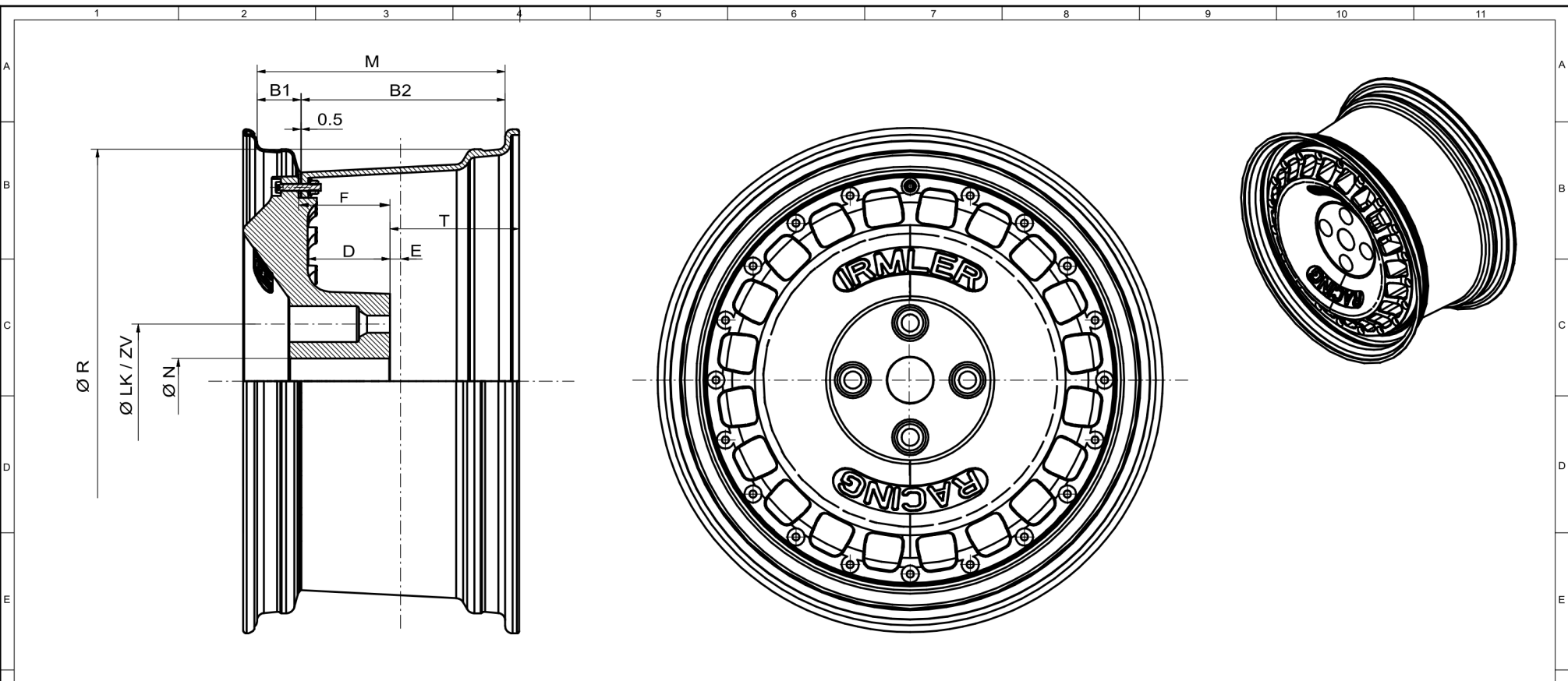


Copyright of this document and giving it to others, and the use or communication of its contents, therefore, are prohibited without the express written consent of the manufacturer.



Ø R (Rim diameter)		D (Spoke to brake disk distance)		Coating :	
Ø LK / ZV		T			
Ø N (Hub diameter)		E (Offset)			
M (Total rim width)					
B1 (Bowl width outside)					
B2 (Bowl width inside)					
F (SBF measure)					
Front wheel	Weight : in kg	F	D	Customer :	
Rear wheel					
M x R x E		Quantity x Ø LK / ZV		Wheel size :	

		Maße in mm Dimensions in millimeters	Zul. Abw. f. Maße ohne Toleranzang. General tolerances	Fertigzustand ohne Toleranzang. finished condition	Maßstab Scale	Menge Quantity
		DIN ISO 2768m			Rohstoff/Raw material Rohteil-Nr./Raw piece No. Werkzeug-Nr./Tool No.	
		Datum Date	Name Name	Benennung/Designation		
		Bearb. Drawn	IRMLER	Technical specification IM - Order no.		
		Gepr. Checked				
		Norm Approved				
		GEMA Motorsport GmbH Moorstraße 2 49457 Dreßlar		Ursprung Source		
		Ausg. Issue	Anderung Modification	Datum Date	Menge Quantity	
		Name Name	Dateiname Filename			Blatt Sheet 1 von of 1
						MegaCAD A2